



Features

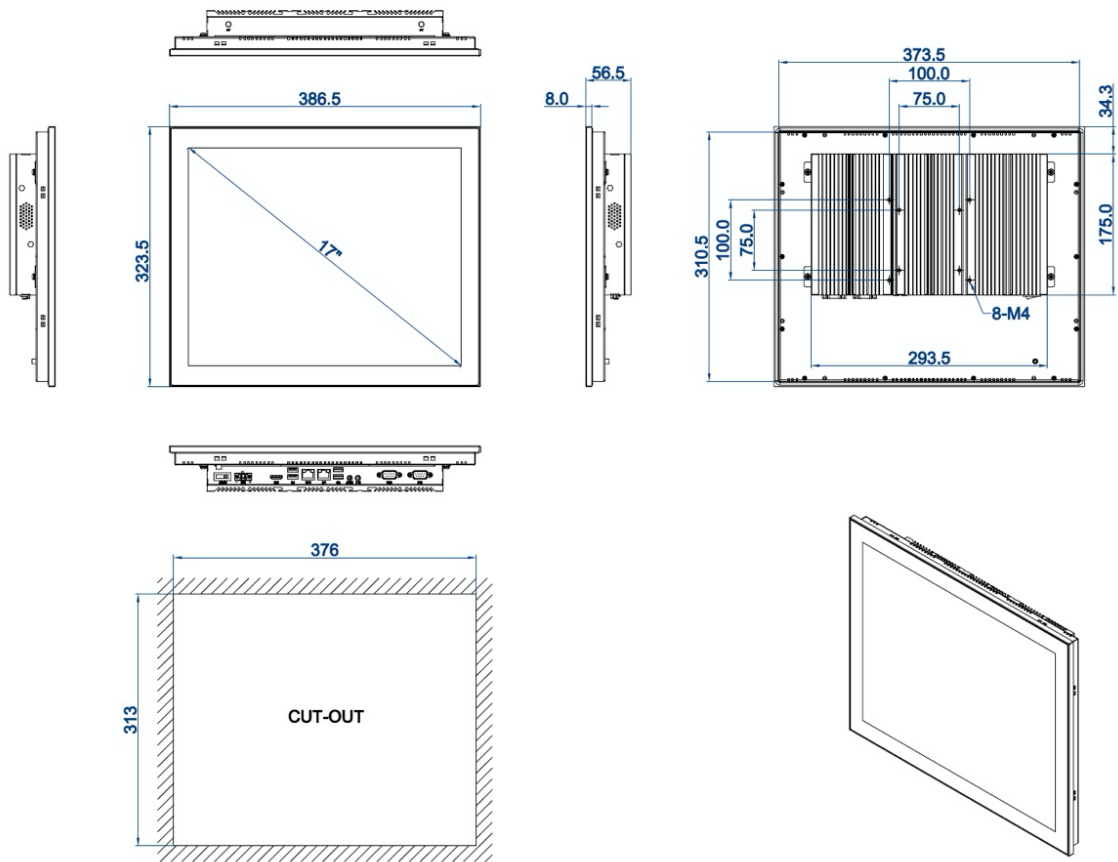
- 17.0" TFT LCD display, LED Backlit, SXGA 1280 *1024;
- Intel Apollo Lake J3455 1.5Ghz Quad-core processor;
- Multi-points (Max. up to 10 points) Projective capacitive touch, EETI controller;
- Aluminum-magnesium alloy, anodized treatment, Modular designed;
- DC 12V, with over-current, over-voltage and polarity protection;
- 2*GLAN, 4*USB3.0, 2*COM, 1*HDMI, Mic-in/Line-out;
- Fan-less & Slim design, Panel mount, VESA, Front IP65 protection.

Specification

Hardware & System	BIOS	SPI AMI EEI BIOS
	CPU	Intel Apollo Lake J3455, Quad-core 1.5Ghz, burst to 2.3Ghz
	Memory	SO-DIMM, DDR3-1866Mt/s, Max. up to 8GB
	Storage	1* 2.5"SATA + 1*mSATA
	Graphic	Intel HD Graphics 500
	Network	2* Intel I211AT (Optional 3G/4G/Wi-Fi)
	Audio	On-board Realtek ACL 269 audio controller
	Expansion	1* Full size Mini-PCIe slot
	Watch dog	0~256 seconds programmable
	OS	Win10, Linux
IO interface	COM	2*RS232 (Support 1x RS485)
	Ethernet	2* RJ45, 10/100/1000 Mbps
	Audio	Mic-in/Line-out
	USB	4x USB3.0
	Display	1x HDMI
	Power	1x 2 pins, phenix terminal
LCD Display	Size/Type	17.0" TFT LCD
	Resolution	1280 * 1024 (SXGA)
	Brightness	250 nits
	Backlit & MTBF	LED backlit & 30 000hours
	View angle	85/85/85/85
Touchscreen	Type	Projective capacitive touchscreen
	Touch points	Multi points touch, max. up to 10 points
	Durability	>100 000 000 times
	Surface hardness	Mohs 6H
	Special treatment	Anti-fingerprint (AF)
Structure	Structure and surface	Magnesium-Aluminum alloy, sand blasting, anodized treatment
	Mount method	Panel mount, VESA 75/100
	Cooling system	Large area finned heat sink
	Overall dimension	386.5 * 323.5 * 56.5 (mm)
	Cut-out dimension	376 * 313 (mm)
	Net weight	4.7 KG
	IP protection	Front Panel IP65
Power & Environmental	Operating temp.	0 ~ +50°C
	Storage temp.	-20 ~ +60°C
	Relative Humidity	10 ~ 95% @ 10C (Non-condensation)
	Vibration	50 ~ 500 Hz, 1.5G, 0.15mm peak to peak
	Shock	10G/Peak (11 ms)
	Power input	DC 12V (Optional DC 9~36V)
	Power consumption	Around 35W
	EMC	CE/FCC Class A

DIMENSIONAL DRAWING:TPC-DCM170

Dimension



DIMENSIONS IN MILLIMETERS

TAICEN
 DATE:2019.06.11
 REV:A Unit:mm

Ordering info.

Part no.	Description
TPC-DCM170A1	17.0", 1280 * 1024, Intel J3455, Pcap. touch, 2*GLAN, 4*USB, 2*COM, 1*HDMI, Mic-in/Line-out, DC 12V
TPC-DRM170A1	17.0", 1280 * 1024, Intel J3455, Resistive touch, 2*GLAN, 4*USB, 2*COM, 1*HDMI, Mic-in/Line-out, DC 12V
TDDR3- <u>2/4/8</u> GB1	Memory: SO-DIMM, DDR3, <u>2GB/4GB/8GB</u> Memory
TMSATA- <u>32/64/128/256/512</u> GB1	mSATA SSD: <u>32GB/64GB/128GB/256GB/512GB</u>
T25SAS- <u>256/512</u> GB1	2.5" SATA SSD: <u>256GB/512GB</u>
T25SAH- <u>1T/2T/4T</u> B1	2.5" HDD: <u>1TB/2TB/4TB</u>
TWM-WIFIA1	Wi-Fi module, with Antenna
TWM-WIFIB1	Wi-Fi with BT integrated module, with Antenna
TWM-4GA1	All network 4G/LTE module, With Antenna
TPS-DTD936M1	DC to DC, wide power input DC 9 ~ 36V
TS-2W2MS	2 * 2W Mini Speaker

Packing List

- 1x Standard Product
- 1x 60W PSU (Power Supply)
- 1x Power cable & Plug
- 8x Panel mount metal clips